

CASE
CONSTRUCTION

Mini Excavators

C SERIES



CX17C

CX26C

CX30C

CX37C

CX57C

CX60C

SINCE 1842



CX17C



CX26C



CX30C



CX37C



CX57C



CX60C

More power. More productivity. More value.

Introducing the C Series, CASE's expanded line of mini excavators that includes six models from 1.7 to 6.0 metric tons. These compact yet powerful machines are ideal for use in tight spaces and applications such as general and residential construction, landscaping and utility work.

- + Tier 4 Final engines
- + Zero, short or conventional tail swing
- + Standard auxiliary hydraulics
- + Thumb ready
- + Automatic 2-speed travel
- + Centralized grease points
- + Boom and blade guards
- + Standard pattern change valve

C Series mini excavators provide parallel, unobstructed operation near obstacles, tree lines and foundations thanks to their zero, short-tail or conventional swing design and independent center swing boom that can be offset left or right within an operating range.

Backfilling is provided by the hydraulically controlled backfill blade and surface damage is kept to a minimum due to the standard, durable rubber tracks. Optional steel tracks are available for even greater protection.

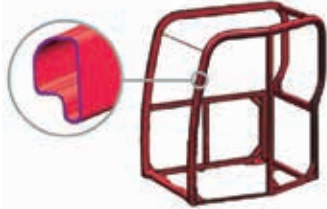


DESIGNED FOR DURABILITY AND PERFORMANCE

ENGINEERED FOR SMOOTH OPERATION

Innovative hydraulic system technologies make the C Series fast, smooth and easy to control. Fuel-efficient Tier 4 Final engines provide proven, reliable power.





RUGGED UPPER AND LOWER FRAME

The upper frame is designed with optimum structural integrity to absorb impact and operational stress. The x-style center frame and reinforced box section track frame provide exceptional strength and longer service life to withstand tough working conditions.



ADVANCED HYDRAULIC SYSTEM

The C Series advanced hydraulic system includes an arm flow summation system and a swing parking brake for smooth and fine control. Other valuable features include a hydraulic damper in the travel pedal and a hydraulically lubricated swing reducer with a leak-free grease chamber.



STANDARD AUXILIARY HYDRAULICS

All C Series machines come standard with auxiliary hydraulics directly controlled from the joystick—giving you the versatility to match your working conditions.



AUTO SHIFT TRAVELING SYSTEM

Auto Shift traveling system automatically downshifts when the load increases to enhance travel torque on slopes and in difficult conditions, and shifts back up to secure a faster travel speed after the load decreases.



LONG-LIFE COMPONENTS

C Series mini excavators are equipped with bushings designed for long-life lube intervals, polymer shims (wear resistant, noise reducing), long-life hydraulic filters, long-life hydraulic oil, more efficient cooling systems and integrated preheating systems. These lasting components help extend service intervals, minimize operating costs and reduce machine downtime.



STANDARD PATTERN CHANGE VALVE

Changing joystick patterns from ISO to SAE is made easy with the standard pattern change valve. The CX57C offers an electronic pattern change switch inside the cab for added convenience.



OPTIONAL LONG ARM WITH HEAVY COUNTERWEIGHT*

If you need more reach and dig depth, equip your machine with the optional long arm. The longer dipper arm reaches farther from one spot to do more work without repositioning the machine. The long arm option includes an additional counterweight that enhances the C Series mini excavator's lifting capabilities.

* Not available on CX30C

EFFICIENT AND VERSATILE

COMPACT DESIGN

The C Series compact design allows the operator to work in confined areas, like close to buildings, on the side of roadways and in urban areas. The C Series variable undercarriage* provides easy and efficient operation in any limited-space work environment.

EASY TO TRANSPORT

With their compact design, the CX17C through CX37C models might not require special towing equipment or licensing.**

OPTIONAL ANGLE BLADE

The CX37C is available with a 4-way angle blade option allowing for efficient backfilling and more versatility in confined working conditions. The blade can be angled 25° to the left and 25° to the right.

VARIABLE BOOM SWING

The boom swing function is designed for efficient work in congested residential and urban areas. The boom can be offset left or right within an operating range. Plus, increased swing torque provides enhanced operating capability on the slope.



*Exclusive to the CX17C

**Always check your state and local laws for applicable roading regulations and requirements.



DO MUCH MORE THAN DIG

ADD ATTACHMENTS, ADD PROFITABILITY

For many jobs requiring a mini excavator, digging is just the beginning. Attachments allow you to do more with a single machine — giving your business even greater versatility.

That's why CASE C Series mini excavators are equipped to make using attachments easy. The C Series lineup is compatible with a wide range of buckets, augers, thumbs, grapples, hydraulic hammers and more from numerous attachment manufacturers, so you're sure to find the right fit for your specific application. Consult your CASE dealer for details.

ATTACHMENTS INCLUDE:



Augers



Hammers



Plate Compactor



SmartFit™
Bucket Teeth



Track Options



Standard Auxiliary
Hydraulics

MECHANICAL, HYDRAULIC AND KLAC QUICK COUPLERS

Avoid the elements and downtime by quickly switching attachments from the comfort of your cab, thanks to a hydraulic quick coupler option.



OPERATE IN COMFORT

NEWLY DESIGNED CAB*

If you can comfortably stay in the seat longer, you'll be able to get more work done. The C Series cab ensures you remain comfortable, whether you spend one hour or an entire day at the controls. An ergonomically designed suspension seat, adjustable arm rests and a spacious environment helps to minimize operator fatigue.

Quieter, temperature controlled and easy to operate, C Series mini excavators offer operator-friendly ergonomic controls that keep you productive all day long. Also, operators can fully customize their work environment and operating preferences to fit their individual needs.

*Features on these pages are exclusive to the CX57C and CX60C



WIDE CAB

The newly designed cab provides operators with more space and excellent visibility of both the cab interior and the view around the machine. This puts the operator in a better position to work comfortably.



ADVANCED LCD CLUSTER

Operators can select personal machine preferences. The monitor displays engine rpm, engine oil temperature, water temperature and information for all electronic devices. Buttons provided for auto idle mode, max power mode and travel speed. A security feature prevents the machine from starting without a proper password.



VENTILATION SYSTEM

A full, auto air conditioning system provides the operator with optimum air temperature.



BLUETOOTH RADIO/ USB CONNECTOR

Enjoy an advanced audio system with AM/FM stereo and USB/iPod connector. A Bluetooth hands-free feature is available.



ERGONOMIC JOYSTICK
Ergonomically designed joysticks reduce operator fatigue during the workday.



ACCELERATION DIAL WITH LED LIGHT
The acceleration dial is easy to control and recognizable in dark working conditions thanks to an LED light.



ROLLER SHADE
A large upper roof glass provides additional visibility and a roller shade is provided to reduce glare and sunlight.



PEDALS
Pedals are designed for maximum comfort and spaced for low effort.

MAINTENANCE MADE SIMPLE

A CASE HALLMARK: GROUND-LINE ACCESS

When you invest in CASE equipment, you need it to last. We make it simple, and C Series mini excavators are no exception. From wide open swing-out access panels to ground-level sight gauges and service points, you can do daily maintenance in a matter of minutes. It's the easiest way to help you get the most performance and longer life out of your machine.

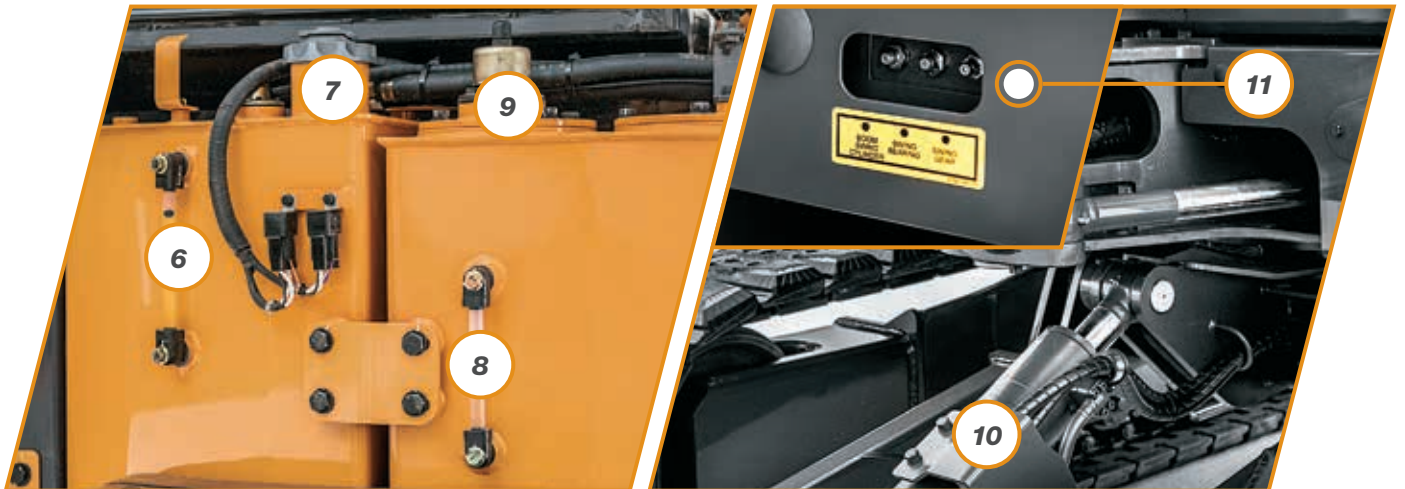
The CX60C also features a tilting cab for even greater access to maintenance points.



EASY ACCESS TO EVERYTHING

- 1 Engine oil check and fill
- 2 Air filter
- 3 Fuel filter
- 4 Coolant reservoir
- 5 Radiator
- 6 Fuel sight gauge
- 7 Fuel fill
- 8 Hydraulic sight gauge
- 9 Hydraulic fill
- 10 Blade guards
- 11 Grouped grease points





SUPPORT COMES STANDARD

BASE WARRANTY COVERAGE:

2-YEAR/3,000-HOUR FULL MACHINE LIMITED WARRANTY

UPTIME SOLUTIONS

Your CASE dealer can provide solutions to meet all your needs and keep you productive.



STRONGER PRODUCT SUPPORT SOLUTIONS

Your CASE dealer knows best how you can maximize your equipment investment and uptime—with genuine CASE parts, expert service and a complete range of product support solutions including CASE remanufactured and all-makes parts. CASE supports better parts availability and faster deliveries through nine parts distribution centers in North America and a forecasting system to ensure that the right parts will be there when you need them. And only CASE dealers have exclusive access to the Electronic Service Tool (EST) that quickly pinpoints machine issues. Just ask your dealer for details.

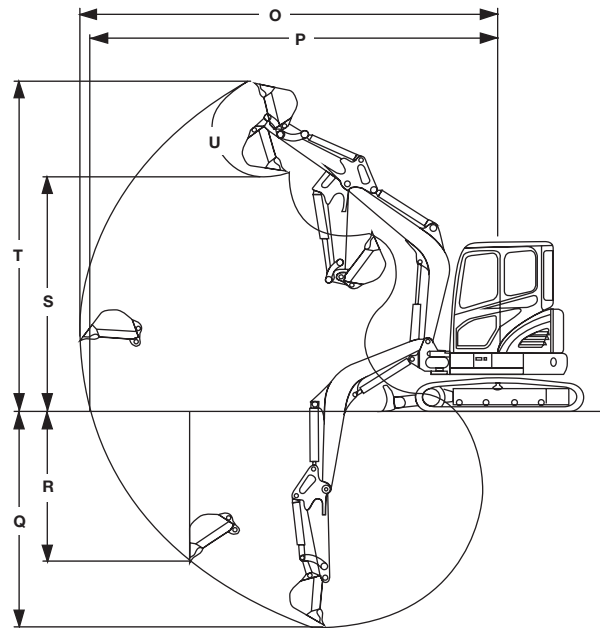
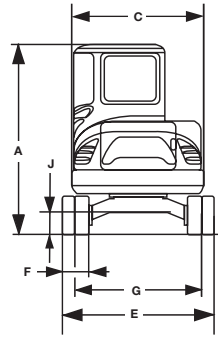
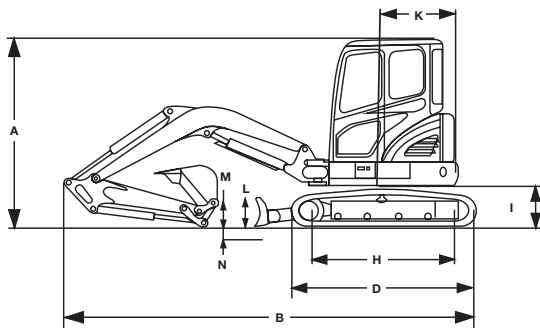


FLEXIBLE FINANCIAL OPTIONS

Specialized finance programs and flexible leasing packages put you in the driver's seat of industry-leading CASE equipment while no-nonsense warranties and comprehensive protection plans ensure that your equipment is protected. As the only finance company dedicated to CASE, we offer strong products and services designed around your unique needs and are the only ones supported by the helpful service professionals at your CASE dealer.

*Please see your CASE dealer for limitations, exclusions and confirmation of policies in effect.

SPECIFICATIONS AND DIMENSIONS



Line drawings are for illustrative purpose only and may not be exact representation of unit.

DIMENSIONS	CX17C	CX26C	CX30C	CX37C	CX57C	CX60C
Arm	3 ft 2 in (0.96 m)	3 ft 8 in (1.12 m)	3 ft 8 in (1.12 m)	4 ft 3 in (1.3 m)	5 ft 3 in (1.6 m)	4 ft 10 in (1.48 m)
A. Overall Height	7 ft 7 in (2 320 mm)	8 ft 2 in (2 500 mm)	8 ft 2 in (2 500 mm)	8 ft 2 in (2 500 mm)	8 ft 4 in (2 550 mm)	8 ft 4 in (2 550 mm)
B. Overall Transport Length	11 ft 5 in (3 480 mm)	13 ft 3 in (4 030 mm)	13 ft 9 in (4 180 mm)	15 ft 9 in (4 790 mm)	19 ft 4 in (5 900 mm)	18 ft 3 in (5 600 mm)
C. Width of Upper Structure	2 ft 11 in (890 mm)	4 ft 7 in (1 400 mm)	4 ft 10 in (1 485 mm)	5 ft 0 in (1 530 mm)	6 ft 1 in (1 850 mm)	6 ft 4 in (1 940 mm)
D. Track Overall Length	5 ft 3 in (1 590 mm)	6 ft 3 in (1 910 mm)	6 ft 6 in (1 970 mm)	7 ft 0 in (2 130 mm)	8 ft 4 in (2 530 mm)	8 ft 4 in (2 550 mm)
E. Track Overall Width	4 ft 3 in (1 300 mm)	4 ft 11 in (1 500 mm)	5 ft 1 in (1 550 mm)	5 ft 9 in (1 740 mm)	6 ft 4 in (1 920 mm)	6 ft 6 in (1 990 mm)
F. Track Shoe Width	9.0 in (230 mm)	9.8 in (250 mm)	11.8 in (300 mm)	12 in (300 mm)	15 in (380 mm)	15 in (380 mm)
G. Track gauge	2 ft 6 in (760 mm)* 3 ft 6 in (1 070 mm)**	4 ft 1 in (1 250 mm)	4 ft 1 in (1 250 mm)	4 ft 9 in (1 440 mm)	4 ft 11 in (1 500 mm)	5 ft 3 in (1 600 mm)
H. Center to Center – Idler to Sprocket	4 ft 0 in (1 230 mm)	4 ft 11 in (1 490 mm)	4 ft 11 in (1 490 mm)	5 ft 7 in (1 700 mm)	6 ft 6 in (1 990 mm)	6 ft 6 in (1 990 mm)
I. Upper Structure Ground Clearance	1 ft 5 in (440 mm)	1 ft 8 in (510 mm)	1 ft 8 in (510 mm)	1 ft 9 in (540 mm)	2 ft 3 in (690 mm)	2 ft 2 in (660 mm)
J. Minimum Ground Clearance	6.7 in (170 mm)	11 in (290 mm)	11 in (290 mm)	11 in (290 mm)	1 ft 3 in (380 mm)	1 ft 3 in (380 mm)
K. Tail Swing Radius	2 ft 1 in (645 mm)	2 ft 6 in (750 mm)	2 ft 10 in (875 mm)	2 ft 10 in (870 mm)	5 ft 5 in (1 650 mm)	3 ft 7 in (1 080 mm)
Boom Swing	70° left/54° right	75° left/50° right	75° left/50° right	75° left/50° right	80° left/50° right	70° left/50° right
Tail Swing Overhang	0 ft 0 in (0 mm)	0 ft 0 in (0 mm)	5 in (125 mm)	0 ft 0 in (0 mm)	2 ft 3 in (690 mm)	3 in (85 mm)
BLADE SPECS	CX17C	CX26C	CX30C	CX37C	CX57C	CX60C
L. Backfill Blade Height	9.8 in (250 mm)	1 ft 0 in (300 mm)	1 ft 1 in (330 mm)	1 ft 3 in (370 mm)	1 ft 2 in (350 mm)	1 ft 2 in (350 mm)
M. Backfill Blade Rise Above Ground	11.2 in (285 mm)	1 ft 1 in (330 mm)	1 ft 3 in (370 mm)	1 ft 3 in (375 mm)	1 ft 3 in (390 mm)	8 in (200 mm)
N. Backfill Blade Dig Depth	8.9 in (225 mm)	1 ft 3 in (380 mm)	1 ft 6 in (450 mm)	1 ft 3 in (390 mm)	1 ft 11 in (590 mm)	2 ft 4 in (700 mm)
Backfill Blade Width	4 ft 3 in (1 300 mm)	5 ft 0 in (1 500 mm)	5 ft 1 in (1 550 mm)	5 ft 9 in (1 740 mm)	6 ft 4 in (1 920 mm)	6 ft 7 in (2 010 mm)
PERFORMANCE SPECS	CX17C	CX26C	CX30C	CX37C	CX57C	CX60C
O. Maximum Dig Radius	12 ft 10 in (3 900 mm)	14 ft 8 in (4 480 mm)	15 ft 3 in (4 650 mm)	17 ft 5 in (5 315 mm)	20 ft 2 in (6 150 mm)	20 ft 2 in (6 150 mm)
P. Dig Radius at Groundline	12 ft 6 in (3 800 mm)	14 ft 3 in (4 340 mm)	14 ft 10 in (4 515 mm)	17 ft 1 in (5 200 mm)	19 ft 9 in (6 010 mm)	19 ft 9 in (6 010 mm)
Q. Maximum Dig Depth	7 ft 3 in (2 200 mm)	7 ft 11 in (2 420 mm)	8 ft 2 in (2 500 mm)	10 ft 3 in (3 135 mm)	12 ft 6 in (3 820 mm)	11 ft 9 in (3 570 mm)
R. Vertical Straight Wall Dig Depth	4 ft 4 in (1 320 mm)	4 ft 10 in (1 460 mm)	6 ft 10 in (2 085 mm)	7 ft 2 in (2 190 mm)	10 ft 6 in (3 200 mm)	10 ft 0 in (3 040 mm)
S. Dump Height	8 ft 5 in (2 570 mm)	9 ft 7 in (2 930 mm)	9 ft 7 in (2 930 mm)	11 ft 3 in (3 425 mm)	13 ft 3 in (4 050 mm)	12 ft 11 in (3 930 mm)
T. Overall Reach Height	11 ft 9 in (3 580 mm)	13 ft 7 in (4 150 mm)	14 ft 0 in (4 270 mm)	15 ft 9 in (4 810 mm)	19 ft 0 in (5 780 mm)	18 ft 8 in (5 680 mm)
U. Bucket Rotation	187°	168°	177°	180°	180°	180°
Arm Digging Force – ISO	1,920 lbf (870 kgf/8.5 kN)	3,280 lbf (1 490 kgf/14.6 kN)	3,080 lbf (1 397 kgf/13.7 kN)	4,390 lbf (1 990 kgf/19.5 kN)	7,190 lbf (3 260 kgf/31.9 kN)	5,950 lbf (2 700 kgf/26.5 kN)
Bucket Digging Force – ISO	3,490 lbf (1 580 kgf/15.5 kN)	4,740 lbf (2 150 kgf/21.1 kN)	4,520 lbf (2 050 kgf/20.1 kN)	6,900 lbf (3 130 kgf/30.7 kN)	9,550 lbf (4 330 kgf/42.4 kN)	9,190 lbf (4 170 kgf/40.9 kN)

*Retracted, **Extended

SPECIFICATIONS AND DIMENSIONS CONTINUED

OPERATOR STATION	CX17C	CX26C	CX30C	CX37C	CX57C	CX60C
Operator Environment	TOPS/FOPS with 2-post canopy	ROPS/FOPS with 4-post canopy or Enclosed Cab	ROPS/FOPS with 4-post canopy or Enclosed Cab	ROPS/FOPS with 4-post canopy or Enclosed Cab	ROPS/FOPS Enclosed Cab	ROPS/FOPS Enclosed Cab
Sound Level Inside Cab	ISO 6396: 2008 sound pressure level LpA=76 dB (A)	ISO 6396: 2008 sound pressure level LpA=77dB (A)	ISO 6396: 2008 sound pressure level LpA=73.5dB (A)	ISO 6396: 2008 sound pressure level LpA=75dB (A)	ISO 6396: 2008 sound pressure level LpA=76dB (A)	ISO 6396: 2008 sound pressure level LpA=77dB (A)
OPERATING WEIGHT	CX17C	CX26C	CX30C	CX37C	CX57C	CX60C
Type	Canopy	Canopy	Canopy	Canopy	Cab	Cab
Configuration	Short arm	Short arm	Standard arm	Long arm	Long arm	Long arm
Total	3,910 lb (1 775 kg)	5,520 lb (2 505 kg)	6,306 lb (2 860 kg)	8,350 lb (3 790 kg)	12,320 lb (5 590 kg)	13,430 lb (6 090 kg)
ENGINE	CX17C	CX26C	CX30C	CX37C	CX57C	CX60C
Model	Kubota D902	Kubota D1305	Kubota D1305	Yanmar 3TNV88F-ESHYB	Yanmar 4TNV98C	Yanmar 4TNV98C
Emissions Certification	Tier 4 Final	Tier 4 Final	Tier 4 Final	Tier 4 Final (CEGR)	Tier 4 Final (CEGR/DPF)	Tier 4 Final (CEGR/DPF)
Fuel	Diesel	Diesel	Diesel	Diesel	Diesel	Diesel
Cylinders	3	3	3	3	4	4
Displacement	54.8 in ³ (898 cc)	77.0 in ³ (1 261 cc)	77.0 in ³ (1 261 cc)	100.2 in ³ (1 642 cc)	203 in ³ (3 319 cc)	203 in ³ (3 319 cc)
Fuel Injection	Mechanical	Mechanical	Mechanical	Mechanical w/ electronic governor	Electronic common rail	Electronic common rail
Gross Horsepower – SAE J1995	16.8 hp (12.5 kW) @ 2300 RPM	24.8 hp (18.5 kW) @ 2300 RPM	24.8 hp (18.5 kW) @ 2300 RPM	24.4 hp (18.2 kW) @ 2200 RPM	66.9 hp (49.9 kW) @ 2400 RPM	64.7 hp (48.3 kW) @ 2200 RPM
Maximum Engine Torque	39.49 lb ft (53.54 Nm) @ 1900 RPM	60.0 lb ft (81.4 Nm) @ 1600 RPM	60.0 lb ft (81.4 Nm) @ 1600 RPM	69.4 lb ft (94.1 Nm) @ 1200 RPM	173.7 lb ft (235.4 Nm) @ 1550 RPM	173.6 lb ft (235.4 Nm) @ 1560 RPM
Cooling	Water-cooled	Water-cooled	Water-cooled	Water-cooled	Water-cooled	Water-cooled
DRIVETRAIN	CX17C	CX26C	CX30C	CX37C	CX57C	CX60C
Travel Speeds:						
1st	1.4 mph (2.2 kph)	1.5 mph (2.4 kph)	1.5 mph (2.4 kph)	1.6 mph (2.5 kph)	1.3 mph (2.1 kph)	1.4 mph (2.2 kph)
2nd	2.6 mph (4.2 kph)	2.7 mph (4.3 kph)	2.7 mph (4.3 kph)	2.6 mph (4.2 kph)	2.5 mph (4.1 kph)	2.5 mph (4.0 kph)
Maximum Traction Force	3,300 lb (1 420 kg)	3,300 lb (1 420 kg)	4,800 lb (2 177 kg)	6,835 lb (3 100 kg)	11,680 lb (5 300 kg)	11,680 lb (5 300 kg)
Gradeability	30° (58%)	30° (58%)	30° (58%)	30° (58%)	35° (70%)	35° (70%)
Ground Pressure	ROPS - 3.98 psi	ROPS - 4.3 psi CAB - 4.6 psi	ROPS - 3.8 psi CAB - 4.1 psi	ROPS - N/A CAB - 4.83 psi	CAB - 4.8 psi	CAB - 5.12 psi
SERVICE CAPACITIES	CX17C	CX26C	CX30C	CX37C	CX57C	CX60C
Fuel Tank	5.3 gal (20 L)	7.9 gal (30 L)	7.9 gal (30 L)	10.5 gal (40 L)	31.7 gal (120 L)	21.7 gal (82 L)
Hydraulic Tank: Refill Capacity Total System	3.4 gal (13 L) 6.1 gal (23 L)	7.1 gal (27 L) 14.5 gal (55 L)	7.1 gal (27 L) 14.5 gal (55 L)	9.8 gal (37 L) 15.9 gal (60 L)	18.5 gal (70 L) 31.7 gal (120 L)	15.9 gal (60 L) 29.1 gal (110 L)
Engine Oil w/ Filter Change	1.0 gal (3.7 L)	1.5 gal (5.7 L)	1.6 gal (5.9 L)	1.8 gal (6.7 L)	3.1 gal (11.6 L)	3.1 gal (11.6 L)
Radiator	0.9 gal (3.5 L)	1.3 gal (5 L)	1.3 gal (5 L)	1.5 gal (5.5 L)	2.5 gal (9.5 L)	2.9 gal (11 L)

ELECTRICAL	CX17C	CX26C	CX30C	CX37C	CX57C	CX60C
Voltage	12 Volts	12 Volts	12 Volts	12 Volts	12 Volts	12 Volts
Alternator Rating	40 amp	40 amp	40 amp	55 amp	60 amp	80 amp
Battery	1 x 12 V x 45 Ah 420 CCA	1 x 12 V x 58 Ah 680 CCA	1 x 12 V x 80 Ah 630 CCA	1 x 12 V x 70 Ah 750 CCA	1 x 12 V x 100 Ah 850 CCA	1 x 12 V x 100 Ah 850 CCA
HYDRAULICS	CX17C	CX26C	CX30C	CX37C	CX57C	CX60C
Main Pumps	Variable displacement tandem axial piston pump + gear pump	Variable displacement tandem axial piston pump	Variable displacement tandem axial piston pump	Variable displacement tandem axial piston pump	Variable displacement tandem axial piston pump	Variable displacement tandem axial piston pump
Maximum Rated Flow x2	5 + 3 gpm (18.8 + 11.3 L/min)	7.3 gpm (27.6 L/min)	7.3 gpm (27.6 L/min)	9.9 gpm (37.4 L/min)	15.3 gpm (57.8 L/min)	14.5 gpm (55 L/min)
Auxiliary Flow	7.2 gpm @ 2,466 psi (27.4 L/min @ 170 bar)	12.5 gpm @ 2,538 psi (47.2 L/min @ 175 bar)	12.5 gpm @ 2,538 psi (47.2 L/min @ 175 bar)	16.0 gpm @ 2,973 psi (60.5 L/min @ 205 bar)	17.2 gpm @ 3,191 psi (65 L/min @ 220 bar)	17.2 gpm @ 3,191 psi (65 L/min @ 220 bar)
System Relief Pressure: Standard Overload Relief Valve	2,420 psi (170 bar) 3,270 psi (230 bar)	3,130 psi (220 bar) 3,410 psi (240 bar)	3,191 psi (220 bar) 3,481 psi (240 bar)	3,270 psi (230 bar) 3,560 psi (250 bar)	3,130 psi (220 bar) 3,410 psi (240 bar)	3,130 psi (220 bar) 3,410 psi (240 bar)
Pilot Control Hydraulic System: Pump Maximum Capacity	Gear Pump 1.8 gpm (6.8 L/min)	Gear Pump 2.7 gpm (10.4 L/min)	Gear Pump 2.7 gpm (10.4 L/min)	Gear Pump 2.6 gpm (9.9 L/min)	Gear Pump 2.5 gpm (9.5 L/min)	Gear pump 2.4 gpm (9 L/min)
Control Valves	Pilot control for left/right track travel, boom, arm, bucket and swing. Manual control for breaker and backfill blade.					
Swing: Motor	Fixed displacement orbit	Fixed displacement axial piston motor	Fixed displacement axial piston motor	- Fixed displacement axial piston motor - Automatic spring applied hydraulic released brake	- Fixed displacement axial piston motor - Automatic spring applied hydraulic released brake	- Fixed displacement axial piston motor - Automatic spring applied hydraulic released brake
Travel: Motor	- Variable displacement axial piston - 2-stage planetary	- Variable displacement axial piston - 2-stage planetary - Automatic spring applied hydraulic released brake	- Variable displacement axial piston - 2-stage planetary - Automatic spring applied hydraulic released brake	- Variable displacement axial piston - 2-stage planetary - Automatic spring applied hydraulic released brake	- Variable displacement axial piston - 2-stage planetary - Automatic spring applied hydraulic released brake	- Variable displacement axial piston - 2-stage planetary - Automatic spring applied hydraulic released brake
OTHER SPECIFICATIONS	CX17C	CX26C	CX30C	CX37C	CX57C	CX60C
Swing Speed	0 – 9.5 RPM	0 – 9.1 RPM	0 – 9.1 RPM	0 – 9.5 RPM	0 – 9.1 RPM	0 – 8.8 RPM
Undercarriage: Track Rollers	3 each	1 upper/3 lower each	1 upper/4 lower each	1 upper/4 lower each	1 upper/5 lower each	1 upper/5 lower each
Boom: Length	5 ft 11 in (1.8 m)	6 ft 5 in (1.95 m)	6 ft 8 in (2.03 m)	8 ft 2 in (2.5 m)	9 ft 10 in (3.0 m)	9 ft 6 in (2.9 m)
Arm: Standard Length Long Arm Length	3 ft 2 in (0.96 m) 3 ft 8 in (1.12 m)	3 ft 8 in (1.12 m) 4 ft 5 in (1.35 m)	3 ft 8 in (1.12 m) –	4 ft 3 in (1.3 m) 5 ft 3 in (1.6 m)	5 ft 3 in (1.6 m) 6 ft 3 in (1.9 m)	4 ft 10 in (1.48 m) 6 ft 3 in (1.9 m)



BUILDING A STRONG CASE

Since 1842, we at CASE Construction Equipment have lived by an unwavering commitment to build practical, intuitive solutions that deliver both efficiency and productivity. We continually strive to make it easier for our customers to implement emerging technologies and new compliance mandates.

Today, our global scale combined with our local expertise enables us to keep customers' real-world challenges at the center of our product development. This focus has led to numerous innovations like Ride Control™, EZ-EH controls, blade shake, PowerLift™, over-center boom design and the peace of mind that only CASE ProCare provides.

Every CASE machine is backed by more than 300 North American dealer locations, thousands of OEM, remanufactured and all-makes parts, and flexible financing and insurance options that provide the kind of reliable, steadfast support you expect from a professional partner.

We are passionate about improving the lives of others, whether investing in our veterans or raising awareness about local infrastructure initiatives through Dire States. Our goal is to build both stronger machines — and stronger communities.

At the end of the day, we do what's right by our customers and our communities so that they can count on CASE.

CaseCE.com/CSeries

©2019 CNH Industrial America LLC. All rights reserved. CASE is a trademark registered in the United States and many other countries, owned by or licensed to CNH Industrial N.V., its subsidiaries or affiliates. CNH Industrial Capital is a trademark in the United States and many other countries, owned by or licensed to CNH Industrial N.V., its subsidiaries or affiliates. Printed in U.S.A. Contains 10% post-consumer fiber.

Form No. CCE201910MiniEXC
Replaces Form No. CCE201806MiniEXC

IMPORTANT: CASE Construction Equipment Inc. reserves the right to change these specifications without notice and without incurring any obligation relating to such change. Availability of some models and equipment builds vary according to the country in which the equipment is used. The illustrations and text may include optional equipment and accessories and may not include all standard equipment. Your CASE dealer/distributor will be able to give you details of the products and their specifications available in your area.



CASE Construction Equipment is biodiesel-friendly
NOTE: All engines meet current EPA emissions regulations. All specifications are stated in accordance with SAE Standards or Recommended Practices, where applicable.



Always read the Operator's Manual before operating equipment. Inspect equipment before using it, and be sure it is operating properly. Follow the product safety signs and use any safety features provided.